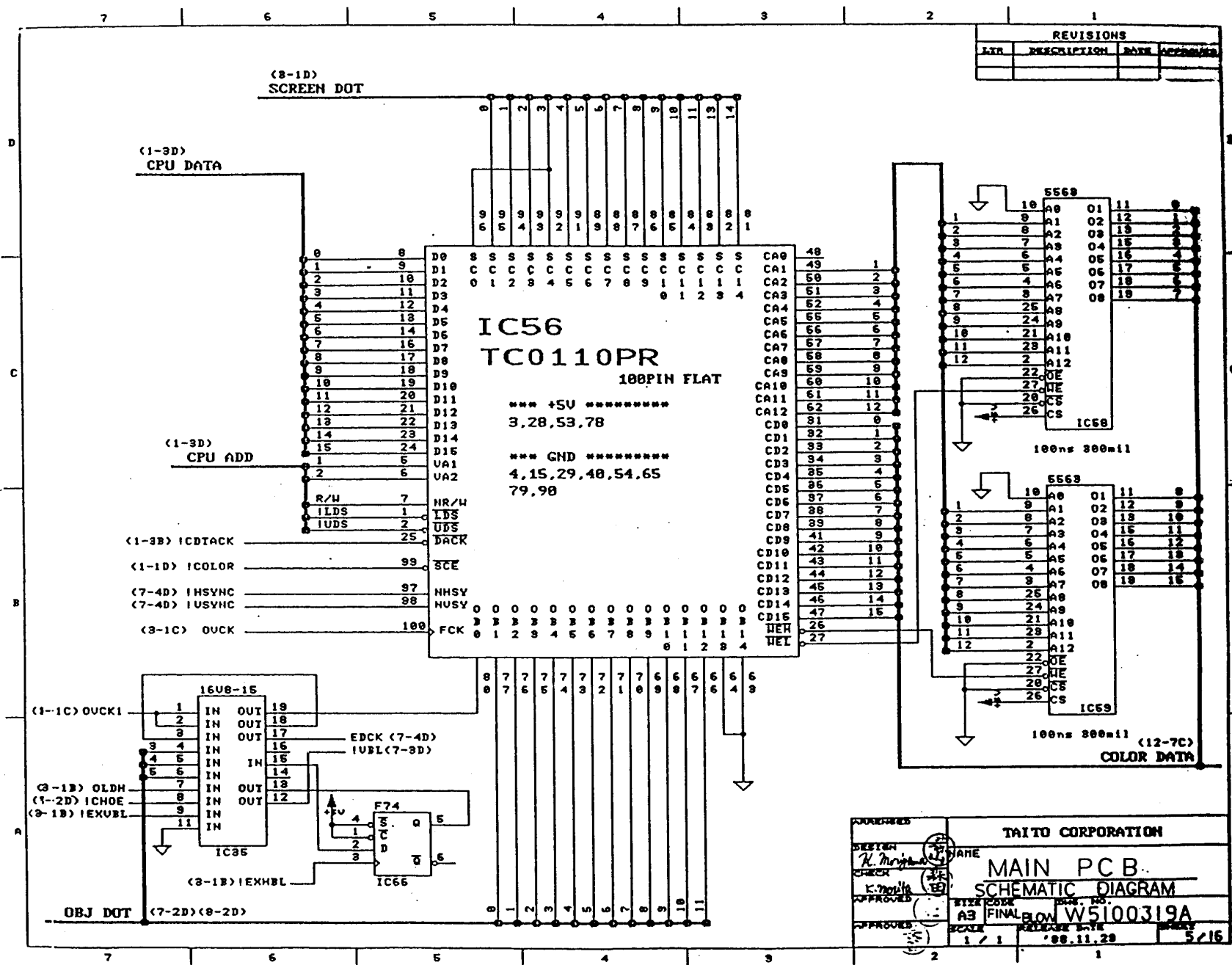


REVISIONS			
LTR	DESCRIPTION	DATE	APPROVED

TAKIHO CORPORATION	
DESIGNER <i>K. Horiyama</i>	NAME
CHECKER <i>K. Maki</i>	MAIN PCB
APPROVED	SCHMATIC DIAGRAM
APPROVED	SIZE CODE A3 FINAL
APPROVED	SCALE 1 / 1
	RELEASE DATE '00.11.20
	REV. NO. 4 / 15



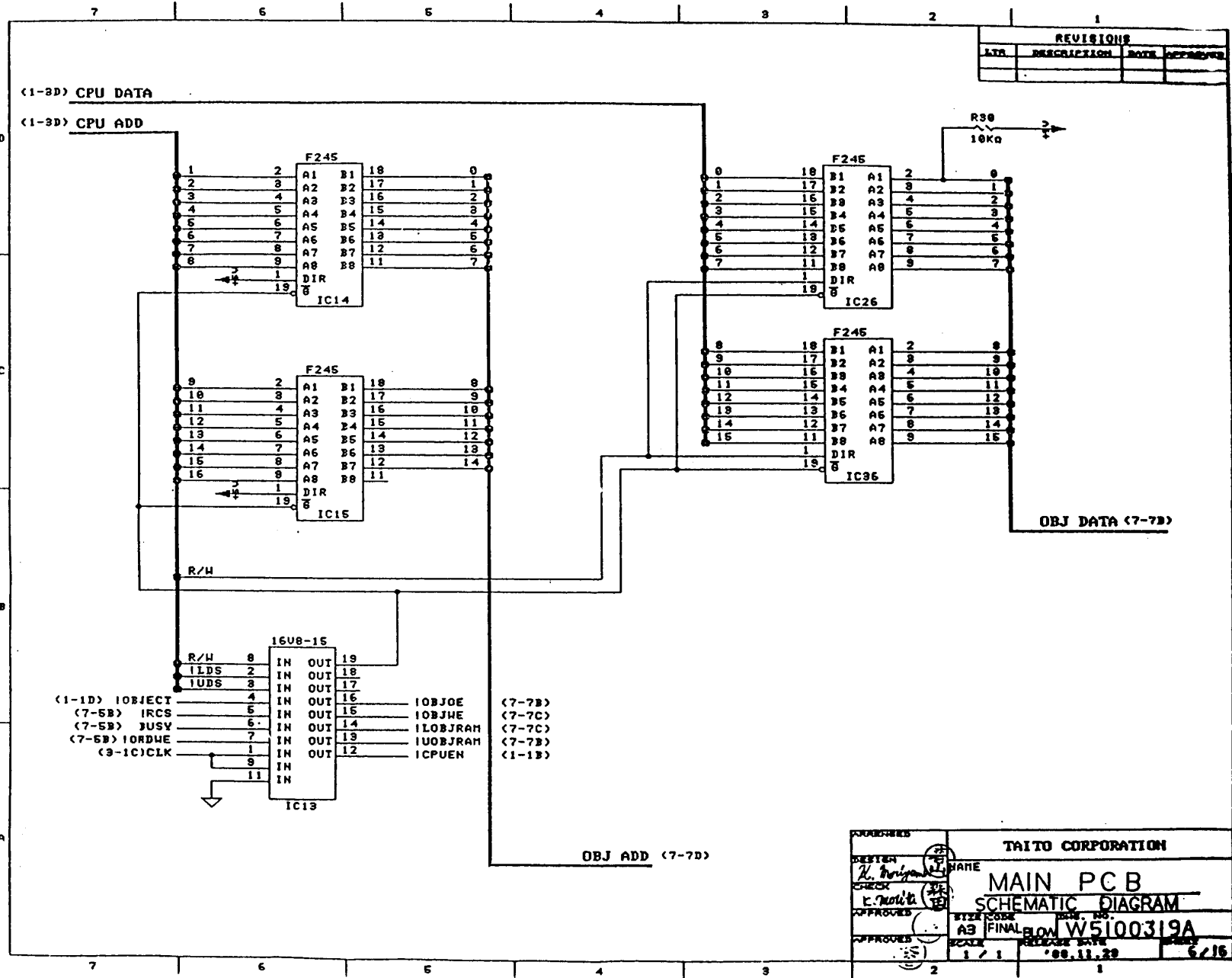
TAITO CORPORATION

DESIGN: *R. Murphy* NAME: **MAIN PCB**

CHECK: *K. Smith* DATE: **SCHEMATIC DIAGRAM**

APPROVED: *[Signature]* SIZE CODE: **A3** DRAWING NO.: **W5100319A**

SCALE: 1/1 RELEASE DATE: **'88.11.29** SHEET: **5/16**



REVISIONS			
LT#	DESCRIPTION	DATE	APPROVED

<1-3D> CPU DATA

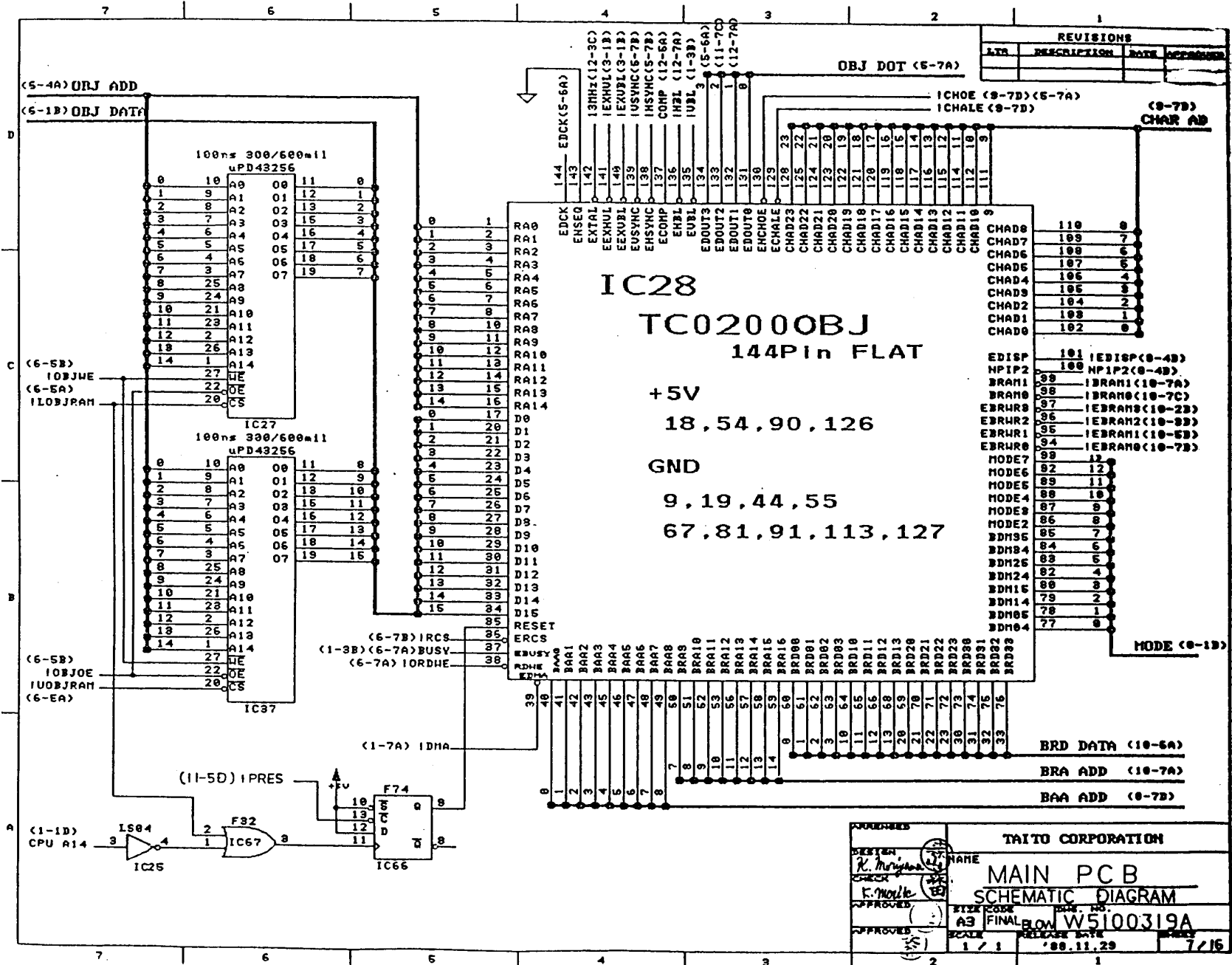
<1-3D> CPU ADD

OBJ DATA <7-7B>

OBJ ADD <7-7D>

- | | | | | | | |
|---------------|---|----|-----|----|----------|--------|
| (1-1D) IOBJCT | 4 | IN | OUT | 16 | IOBJOE | <7-7B> |
| (7-5B) IRCS | 5 | IN | OUT | 15 | IOBJHE | <7-7C> |
| (7-5B) IUSV | 6 | IN | OUT | 14 | ILOBJRAM | <7-7C> |
| (7-5B) IORDHE | 7 | IN | OUT | 13 | IUOBJRAM | <7-7B> |
| (9-1C) CLK | 1 | IN | OUT | 12 | ICPUEN | <1-1B> |

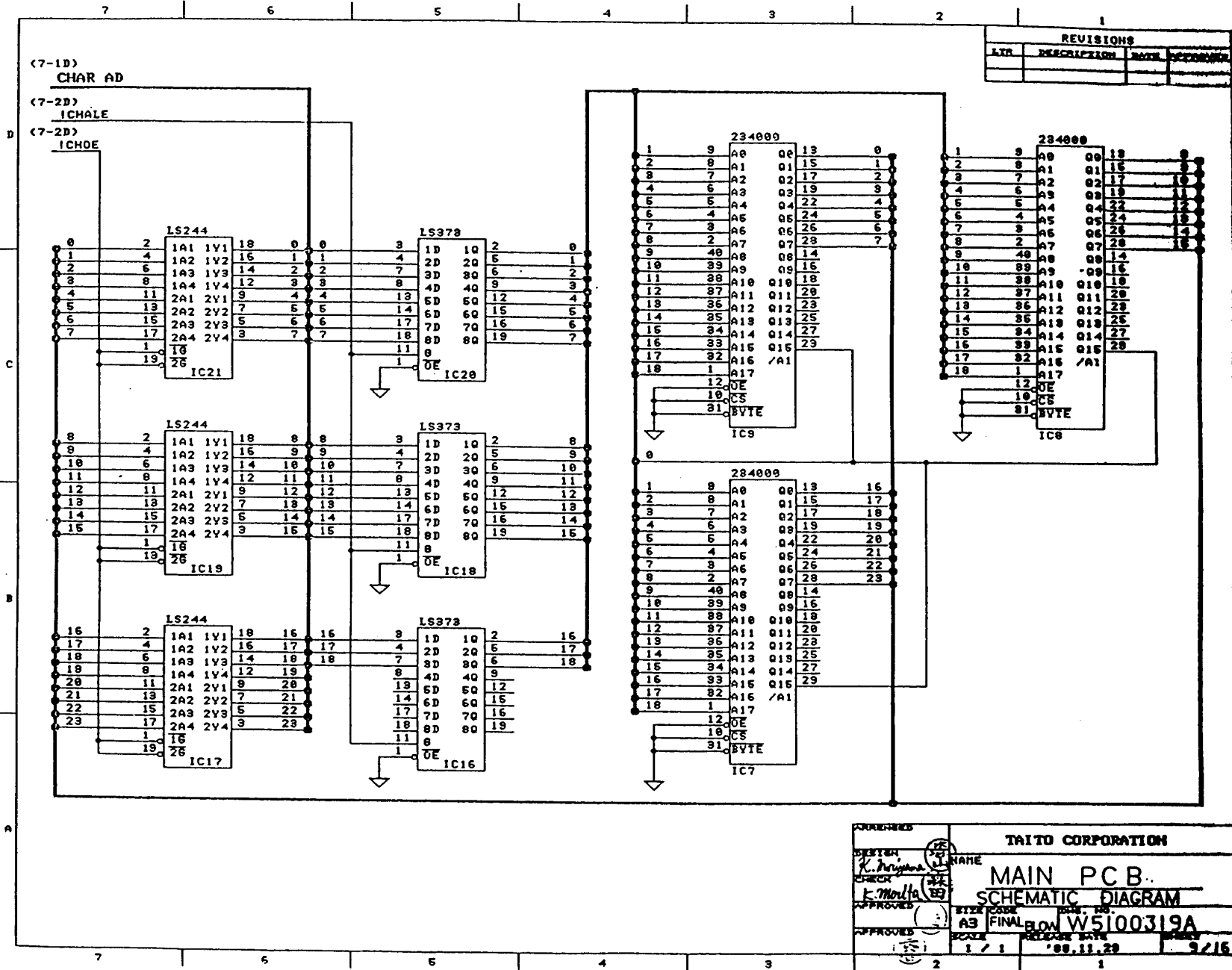
DESIGNED		TAITO CORPORATION	
DESIGNER	NAME	MAIN PCB	
CHECKED	DATE	SCHEMATIC DIAGRAM	
APPROVED	SCALE	SIZE CODE	REV. NO.
APPROVED	1 / 1	A3 FINAL	W5100319A
APPROVED	6/15	RELEASE DATE	08.11.20

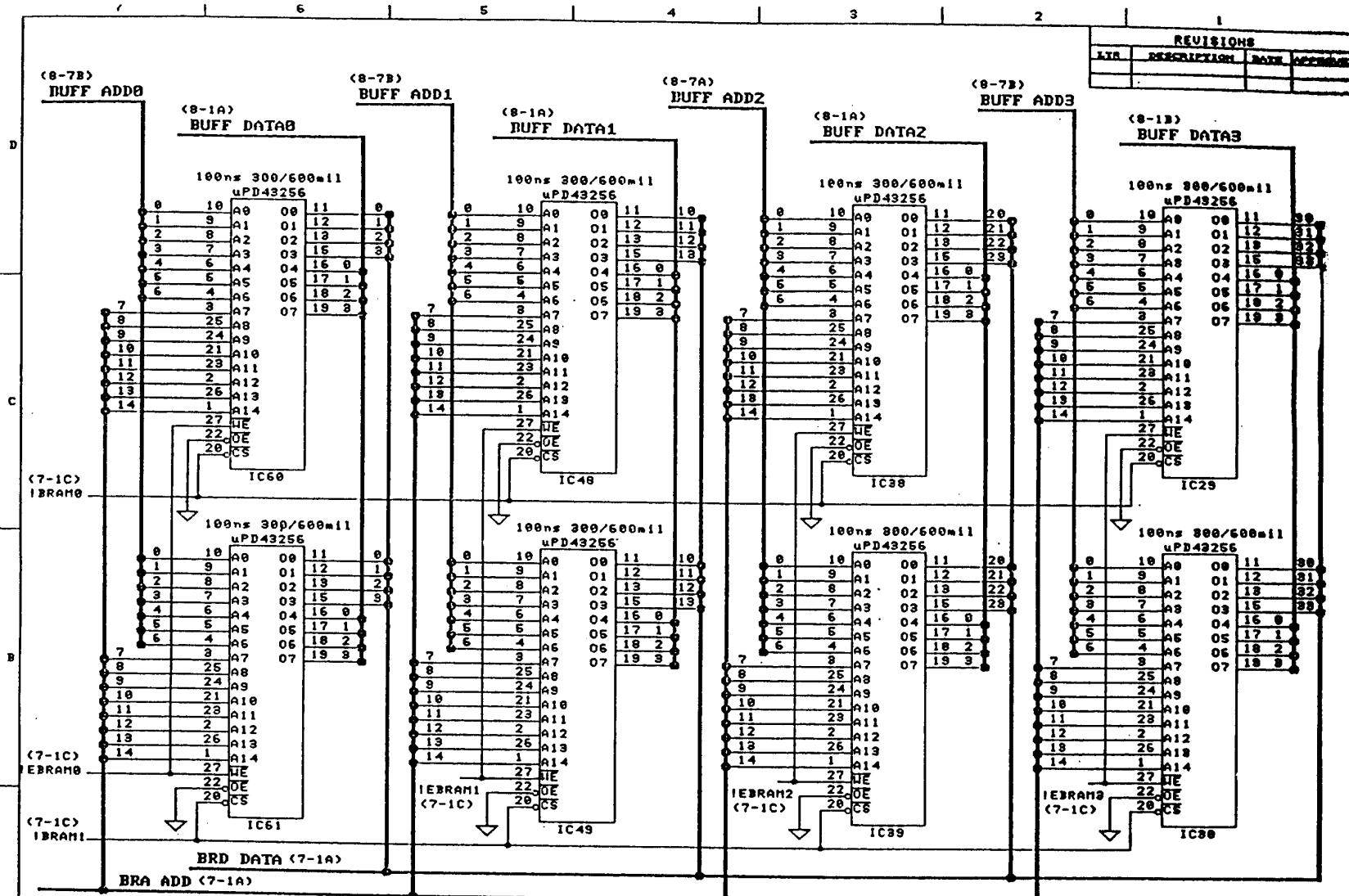


REVISIONS			
LT#	DESCRIPTION	DATE	APPROVED

CHAD8	110	0
CHAD7	109	7
CHAD6	108	6
CHAD5	107	5
CHAD4	106	4
CHAD3	105	3
CHAD2	104	2
CHAD1	103	1
CHAD0	102	0
EDISP	101	IEDISP(0-4B)
NP1P2	100	NP1P2(0-4B)
BRAM1	99	IBRAM1(10-7A)
BRAM0	98	IBRAM0(10-7C)
EBRUR0	97	IEBRAM0(10-2B)
EBRUR2	96	IEBRAM2(10-3B)
EBRUR1	95	IEBRAM1(10-5B)
EBRUR0	94	IEBRAM0(10-7B)
MODE7	93	
MODE6	92	12
MODE5	89	11
MODE4	88	10
MODE3	87	9
MODE2	86	8
BDM35	85	7
BDM34	84	6
BDM25	83	5
BDM24	82	4
BDM15	80	3
BDM14	79	2
BDM05	78	1
BDM04	77	0

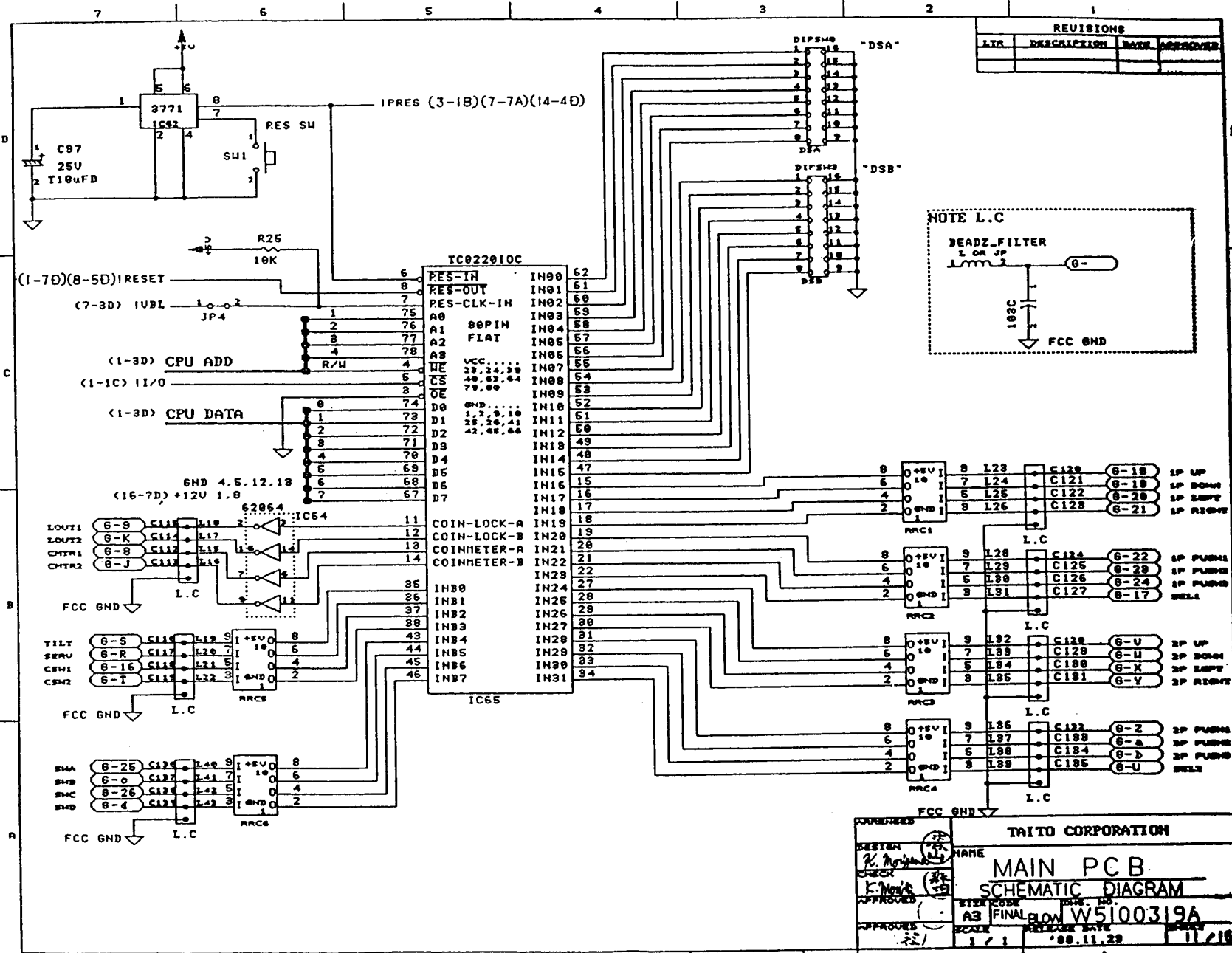
ADDRESS		TAITO CORPORATION	
DESIGN R. Moriguchi	NAME MAIN PCB	SCHEMATIC DIAGRAM	
APPROVED E. Naito	SIZE CODE A3	FORM NO. FINAL	FLOW W5100319A
APPROVES (Signature)	SCALE 1/1	RELEASE DATE '88.11.29	PAGES 7/16



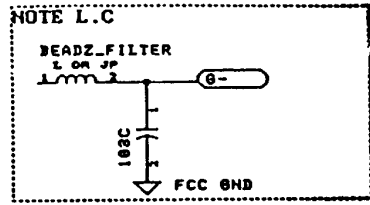


REVISIONS			
NO.	DESCRIPTION	DATE	APPROVED

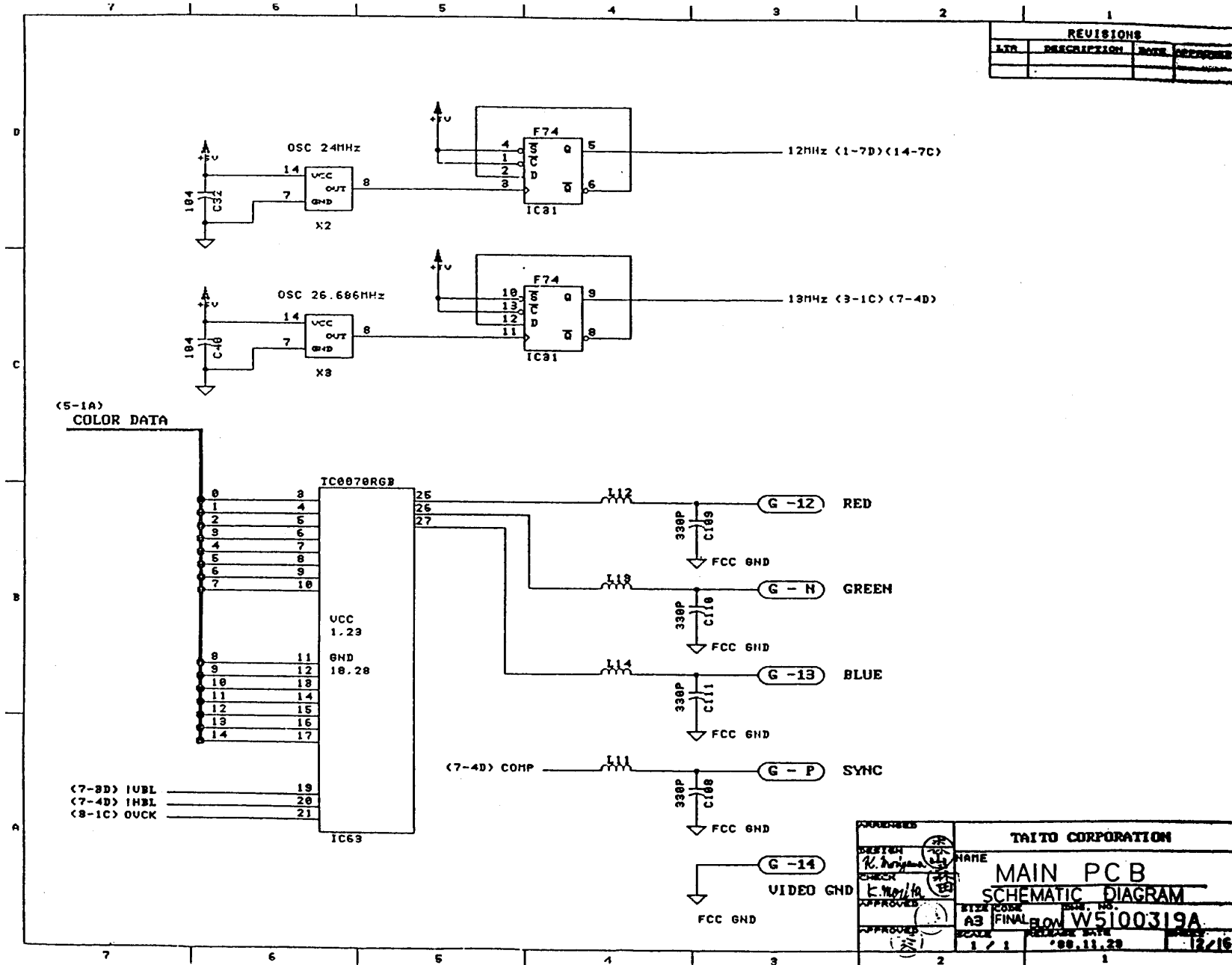
DESIGNER <i>R. M. ...</i>		TAITO CORPORATION	
CHECKER <i>K. ...</i>		NAME MAIN PCB	
APPROVED <i>[Signature]</i>		SCHEMATIC DIAGRAM	
SIZE CODE A3	FINAL	DATE 88.11.29	NO. W5100319A
SCALE 1/1	1/1	1	10/16



REVISIONS			
LTR	DESCRIPTION	DATE	APPROVER

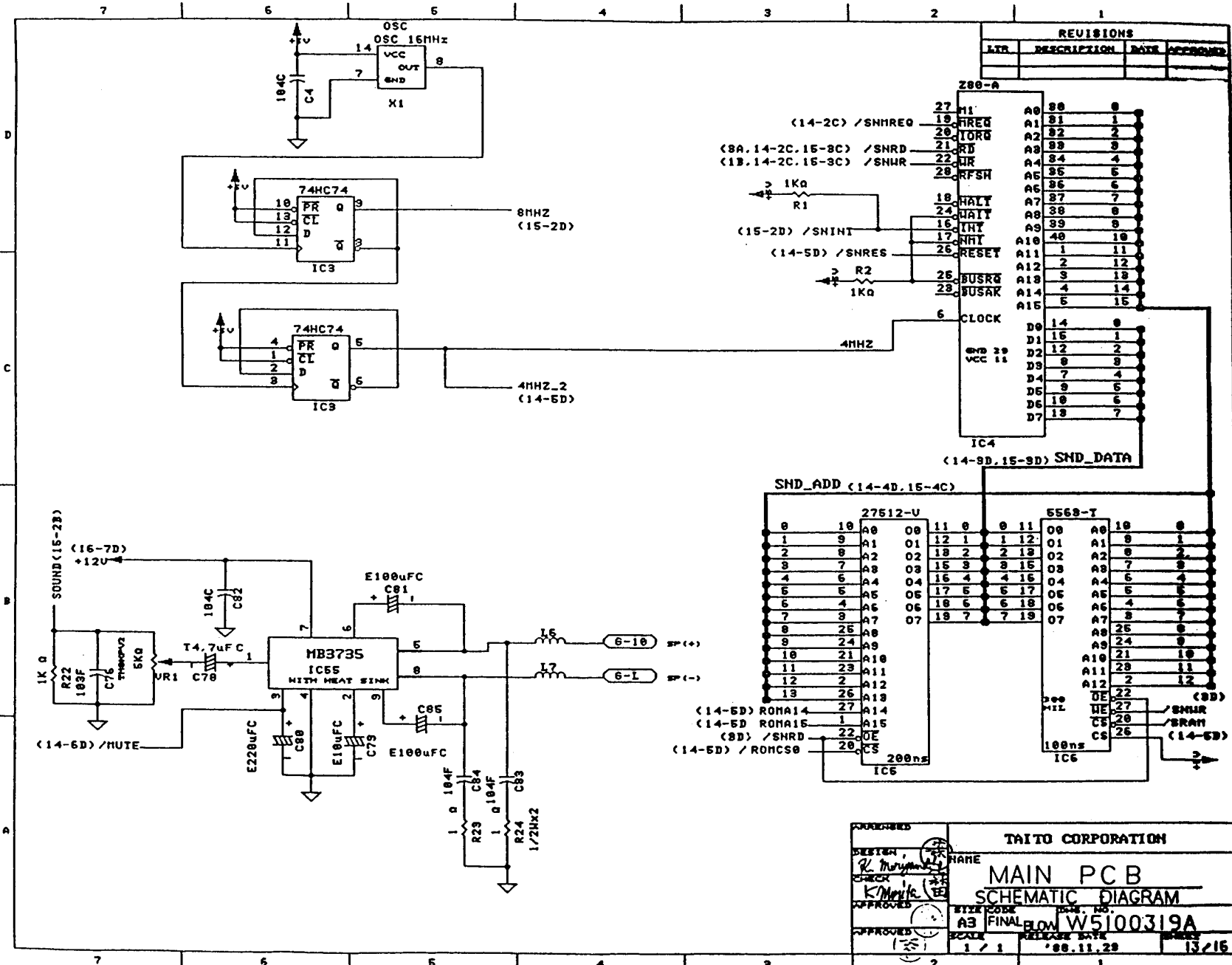


DESIGNED R. [Signature]		TAITO CORPORATION	
CHECKED K. [Signature]		NAME MAIN PCB	
APPROVED		SCHEMATIC DIAGRAM	
DATE		SIZE CODE A3 FINAL	
SCALE		DRAWING NO. W5100319A	
DATE		DATE	
1 / 1		'88.11.29	



REVISIONS			
LTR	DESCRIPTION	DATE	APPROVED

TAKESHI		TAITO CORPORATION	
DESIGN R. Sugiura	CHECK E. Morita	NAME	MAIN PCB
APPROVED	SCALE	SIZE CODE A3	FINAL DRAWING NO. W5100319A
APPROVED	SCALE	RELEASE DATE *88.11.23	DATE 12/16



REVISIONS			
LTR	DESCRIPTION	DATE	APPROVED

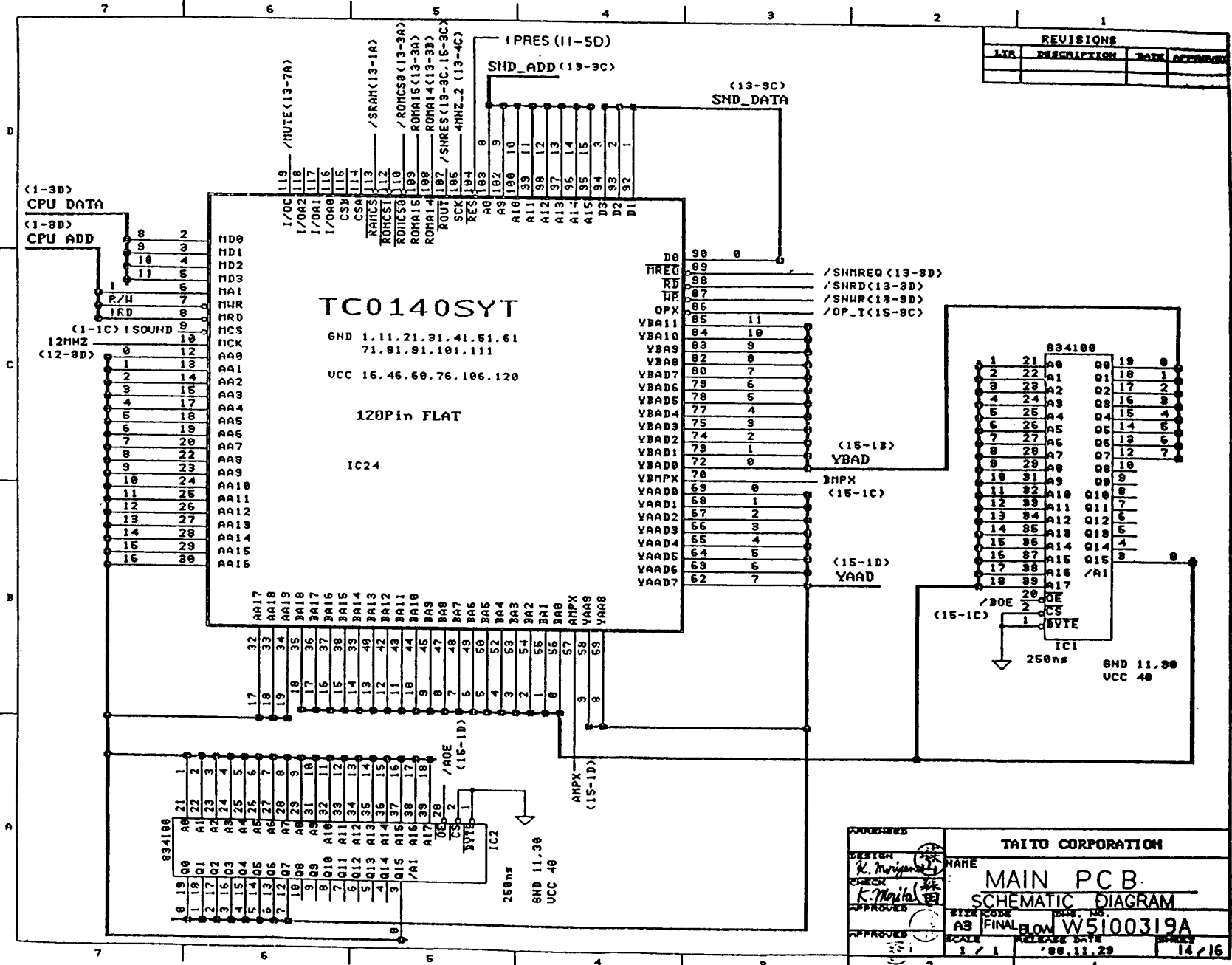
Z80-A	
27	M1
19	FREQ
20	TORG
21	RD
22	WR
28	RFSH
18	HALT
24	WAIT
16	INT
17	NMI
26	RESET
25	BUSRQ
28	BUSAK
6	CLOCK
29	END
11	VCC

A0	80	0
A1	81	1
A2	82	2
A3	83	3
A4	84	4
A5	85	5
A6	86	6
A7	87	7
A8	88	8
A9	89	9
A10	90	10
A11	1	11
A12	2	12
A13	3	13
A14	4	14
A15	5	15

D0	14	0
D1	15	1
D2	12	2
D3	8	3
D4	7	4
D5	9	5
D6	10	6
D7	13	7

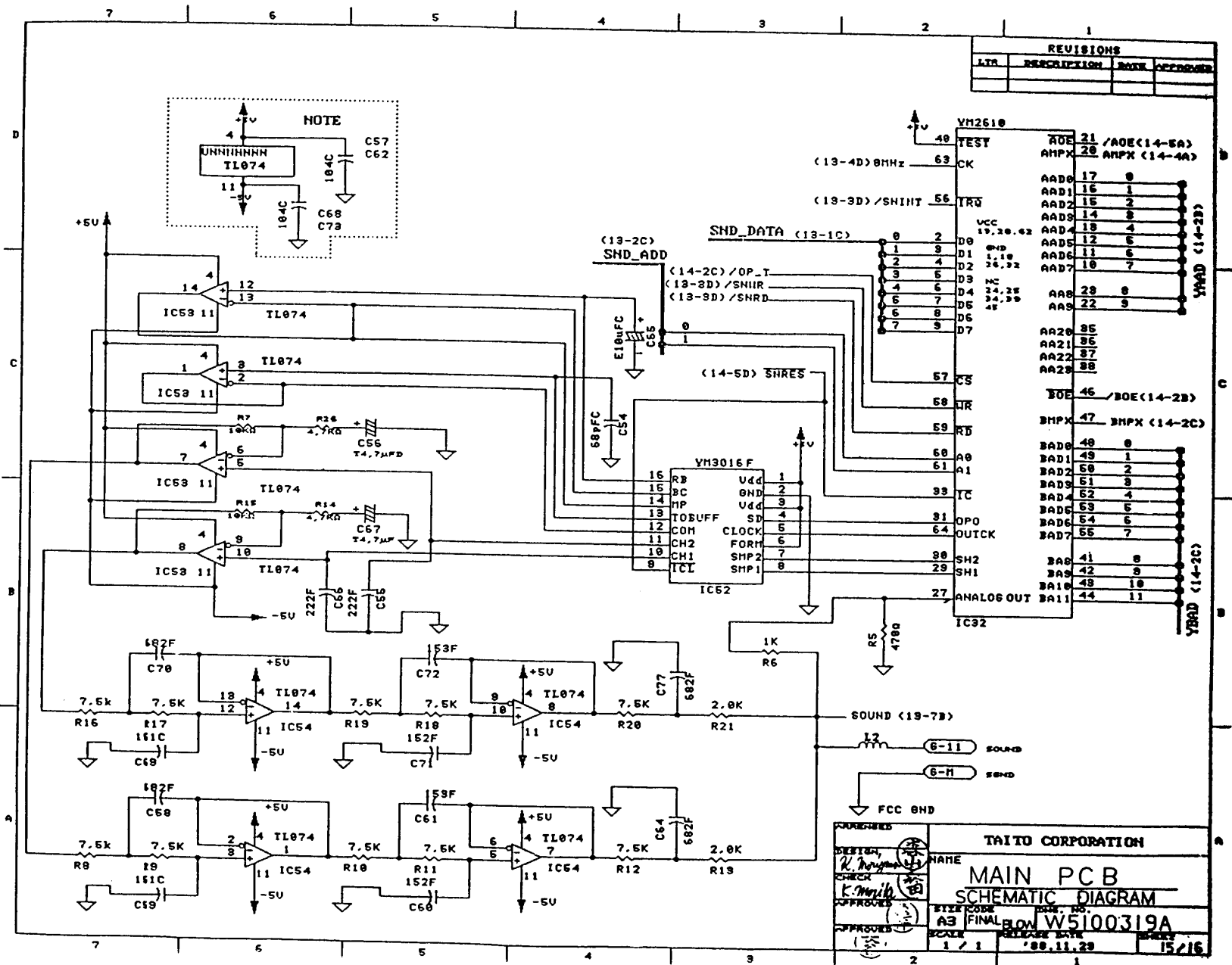
SND_ADD (14-4D, 15-4C)											
0	10	A0	08	11	0	0	11	08	A0	10	0
1	9	A1	01	12	1	1	12	01	A1	9	1
2	8	A2	02	13	2	2	13	02	A2	8	2
3	7	A3	03	14	3	3	14	03	A3	7	3
4	6	A4	04	15	4	4	15	04	A4	6	4
5	5	A5	05	16	5	5	16	05	A5	5	5
6	4	A6	06	17	6	6	17	06	A6	4	6
7	3	A7	07	18	7	7	18	07	A7	3	7
8	2	A8	08	19	8	8	19	08	A8	2	8
9	1	A9	09	20	9	9	20	09	A9	1	9
10	0	A10	10	21	10	10	21	10	A10	0	10
11	15	A11	11	22	11	11	22	11	A11	15	11
12	14	A12	12	23	12	12	23	12	A12	14	12
13	13	A13	13	24	13	13	24	13	A13	13	13
14	12	A14	14	25	14	14	25	14	A14	12	14
15	11	A15	15	26	15	15	26	15	A15	11	15
16	10	OE	16	27	16	16	27	16	OE	10	16
17	9	WE	17	28	17	17	28	17	WE	9	17
18	8	CS	18	29	18	18	29	18	CS	8	18
19	7	CS	19	30	19	19	30	19	CS	7	19

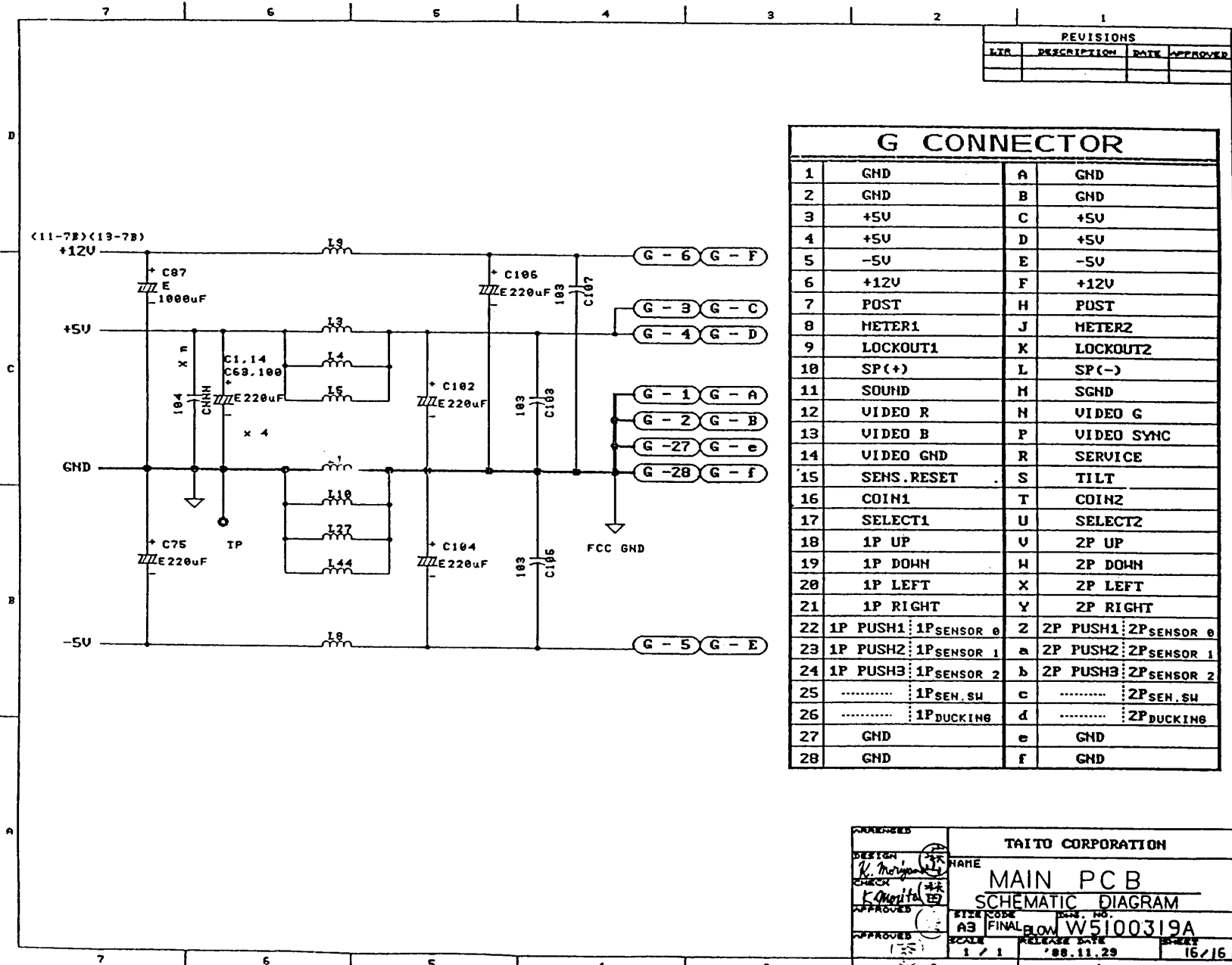
APPROVED	TAITO CORPORATION
DESIGN <i>R. Miyamoto</i>	NAME MAIN PCB
CHECK <i>K. Mitsu</i>	SCHEMATIC DIAGRAM
APPROVED	SIZE CODE A3 FINAL
APPROVED	SCALE 1/1
	DATE '88.11.29
	NO. W5100319A
	REV. 13/15



REVISIONS			
LT#	DESCRIPTION	DATE	APPROVED

DESIGN <i>R. Murigama</i>		NAME MAIN PCB	
CHECK <i>K. Morita</i>		SCHEMATIC DIAGRAM	
APPROVED		SIZE CODE A3 FINAL	REV. NO. W5100319A
APPROVED		SCALE 1/1	RELEASE DATE '00.11.29





REVISIONS			
LT#	DESCRIPTION	DATE	APPROVER

G CONNECTOR				
1	GND	A	GND	
2	GND	B	GND	
3	+5V	C	+5V	
4	+5V	D	+5V	
5	-5V	E	-5V	
6	+12V	F	+12V	
7	POST	H	POST	
8	METER1	J	METER2	
9	LOCKOUT1	K	LOCKOUT2	
10	SP(+)	L	SP(-)	
11	SOUND	M	SGND	
12	VIDEO R	N	VIDEO G	
13	VIDEO B	P	VIDEO SYNC	
14	VIDEO GND	R	SERVICE	
15	SENS.RESET	S	TILT	
16	COIN1	T	COIN2	
17	SELECT1	U	SELECT2	
18	1P UP	U	2P UP	
19	1P DOWN	W	2P DOWN	
20	1P LEFT	X	2P LEFT	
21	1P RIGHT	Y	2P RIGHT	
22	1P PUSH1	1PSENSOR 0	2P PUSH1	2PSENSOR 0
23	1P PUSH2	1PSENSOR 1	2P PUSH2	2PSENSOR 1
24	1P PUSH3	1PSENSOR 2	2P PUSH3	2PSENSOR 2
25	1PSEN. SW	2PSEN. SW
26	1P DUCKING	2P DUCKING
27	GND	e	GND	
28	GND	f	GND	

DESIGN	TAITO CORPORATION		
CHECK	NAME	MAIN PCB	
APPROVED	SCHEMATIC DIAGRAM		
APPROVED	SIZE CODE	ISS. NO.	
	A3	FINAL	W5100319A
	SCALE	RELEASE DATE	
	1 / 1	'88.11.29	16/16

